

## 680T

Tele Wheel Loader 680T



### The telescopic amongst wheel loaders

The tele wheel loaders of the 80-series by Kramer set standards in terms of technology, performance and comfort. Other plus points are versatility in use, optimal power to weight ratio and exceptional performance statistics.

- Fully-fledged wheel loaders with extra range as well as stacking and dumping height
- One-piece frame and all-wheel steering
- Hydraulic quick coupler system and parallel-controlled loading system
- Particularly spacious panoramic cab with the highest level of operator comfort
- Efficient drive, low operating costs and high variety of options

## 680T

Tele Wheel Loader 680T

### Technical specifications

#### Operating data

|                                   |                     |
|-----------------------------------|---------------------|
| Bucket capacity (standard bucket) | 0,95 m <sup>3</sup> |
| Operating weight                  | 5.750 kg            |

#### Engine / Motor

|                             |       |
|-----------------------------|-------|
| Engine / Motor manufacturer | Deutz |
| Engine performance          | 55 kW |

#### Power transmission

|                         |                  |
|-------------------------|------------------|
| Travel speed            | 20 km/h          |
| Travel speed (optional) | 35 km/h          |
| Differential lock       | 100% connectable |
| Standard tires          | 14.5-20          |

#### Steering and operating hydraulics

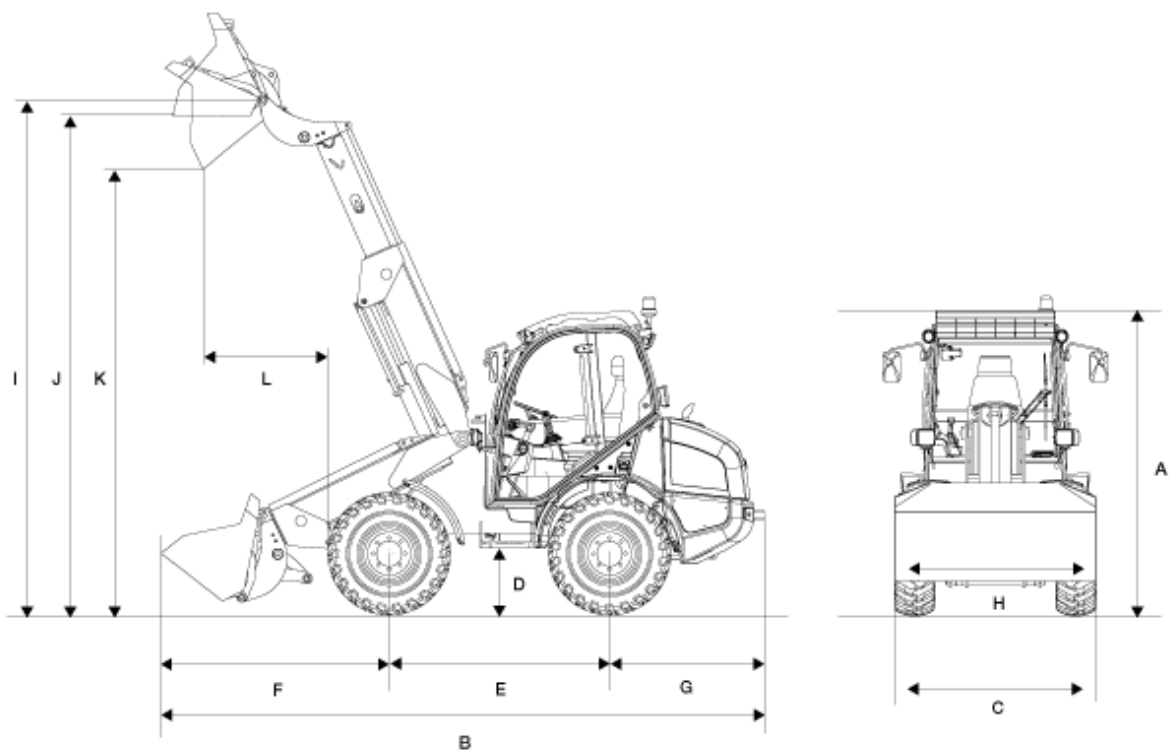
|                      |           |
|----------------------|-----------|
| Flow rate (pump)     | 84 l/min  |
| Pressure (maximum)   | 240 bar   |
| Flow rate (optional) | 120 l/min |

#### Kinematics

|                                       |          |
|---------------------------------------|----------|
| Tipping load (with bucket, retracted) | 3.500 kg |
| Payload (S=1.25, retracted)           | 2.300 kg |

Additional technical data is available in the detailed brochure in the informational material section

## Dimensions



|   |                                       |          |
|---|---------------------------------------|----------|
| A | Height                                | 2.750 mm |
| B | Length                                | 6.040 mm |
| C | Width                                 | 1.920 mm |
| D | Ground clearance                      | 350 mm   |
| E | Wheelbase                             | 2.150 mm |
| F | Center of front axle to tip of teeth  | 2.270 mm |
| G | Center of rear axle to end of vehicle | 1.620 mm |
| H | Bucket width                          | 1.950 mm |
| I | Bucket pivot point (extended)         | 4.680 mm |
| J | Overhead loading height (extended)    | 4.450 mm |
| K | Dumping height (extended)             | 3.980 mm |
| L | Dump reach (extended)                 | 1.100 mm |
|   | Stack height (extended)               | 4.500 mm |

Turning radius (over tyres)

2.950 mm

---

**Information on suitable accessories can be found on our website.**

The right to make changes is reserved in the interests of ongoing further developments. You can find more information on the engine power in the operator's manual. The actual power output figures may vary due to specific operating conditions.

Information on suitable accessories can be found on our website. More detailed information on engine power can be found in the operator's manual; the stated power may vary due to specific operating conditions. Subject to alterations and errors excepted. Applicable also to illustrations. Copyright © 2014 Kramer-Werke GmbH.